

# Aluminum Profiles Catalogue 铝材产品目录

Foshan Oneplus Windows and Doors Co., Ltd.

佛山广一佰金属制品有限公司

Win-win cooperation, pragmatic innovation

---

合作共赢,务实创新



## Company Profile

Foshan Oneplus Windows and Doors Co., Ltd is a large comprehensive aluminum alloy profile manufacturer that integrates with professional R&D, design, manufacturing and marketing. Oneplus specializes in designing and producing aluminum profiles for construction decoration, industry, and so forth.

Since its establishment in 1985, Oneplus has been keeping aggressive, enterprising, and making great efforts. Through over 30 years, of consistent innovation and accumulation, Oneplus has developed into a well-known aluminum profile supplier that has 130,000 square meters of plants with 5 sets of 14 tons casting furnaces, 20 aluminum profiles extrusion machines ranging from 600 tons to 4000 tons, 2 anodizing lines along with electrolytic coating and 2 powder coating lines, 3 thermal break production lines (Insulating Strip & Polyurethane Pour), and advanced molding production workshop. Annual production capacity can reach 80,000 tons.

At present, our company has obtained an ISO9001:2008 Quality System Certificate and a relative product certificate. Good quality and advanced corporate management make our products famous all over the world.

## 企业使命

Corporate Mission

- 无论一小步还是一大步，都要带动人类的进步。

## 企业宗旨

Corporate purpose

- 发展员工 成就客户 回报股东 强大国家

## 团队建设

Team building

- 认真；高效；负责；富有激情的团队。

## 经营理念

Business philosophy

- 合作共赢 务实创新

# Company environment



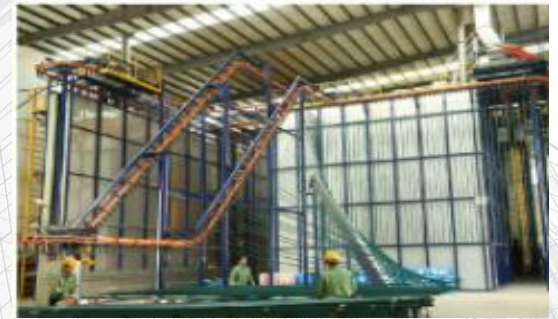
# Production workshop



Melting and Casting Workshop



Aging Furnace



Powder Coating Workshop



Fully Automated Extrusion Workshop



Simulated Wood Grain Production Line

# Production process



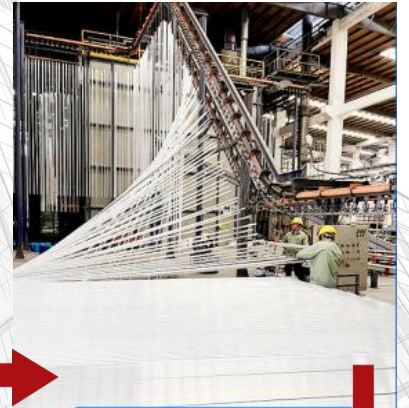
Melting and Casting  
aluminium



Extrusion



Extrusion die mould  
workshop



Vertical powder coated



Loading container



Warehouse



Inspection



Anodized

# C O N T E N T

**01**

**Door and Window  
Profile Series**

**02**

**Industrial  
Profile Series**

**03**

**Decorative  
Profile Series**



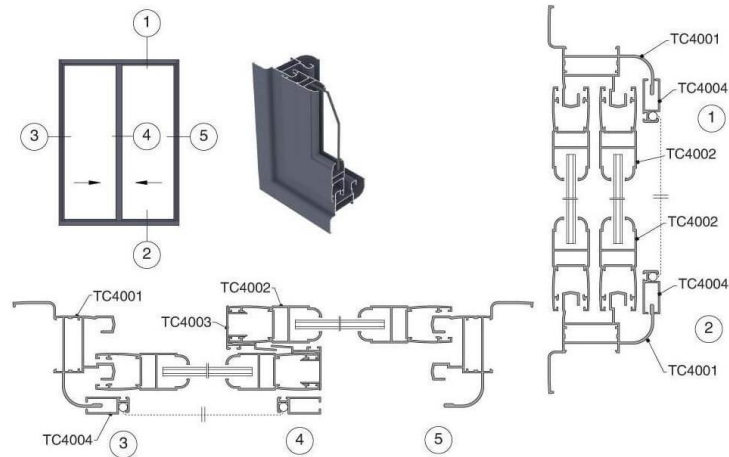
# PART ONE

**Door and Window  
Profile Series**

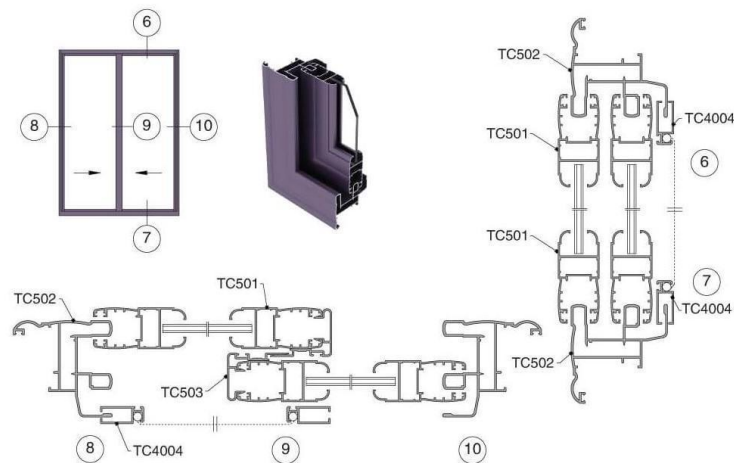


# Aluminium profiles for Sliding windows

TC40, TC50 series  
sliding window assembly drawing



TC50系列推拉窗装配图  
Structure diagram of Series TC50 Sliding Window



1

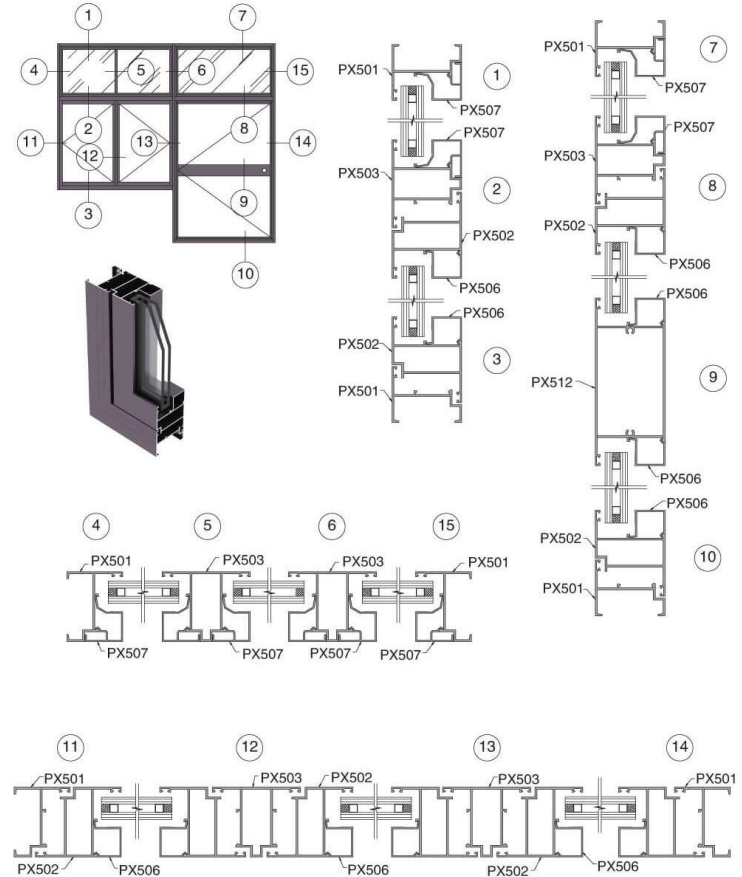
TC40/TC50 Series assembly drawing

2

Other Models: TM50, TC100, TX80, TH86, TC90, Customised

# Aluminium profiles for Casement windows

PX 50 series  
casement window assembly drawing



1

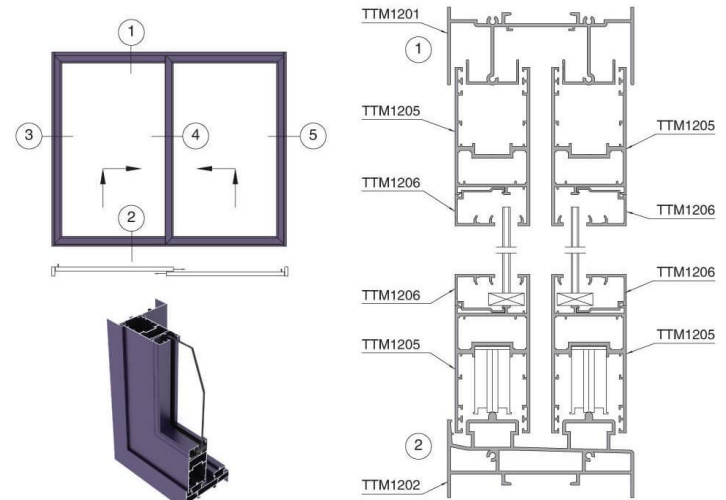
PX 50 Series assembly drawing

2

Other Models: PH55, PC50, PC503  
LD50, WH50, Customised

# Aluminium profiles for Sliding doors

TTM 120 series  
Sliding door assembly drawing

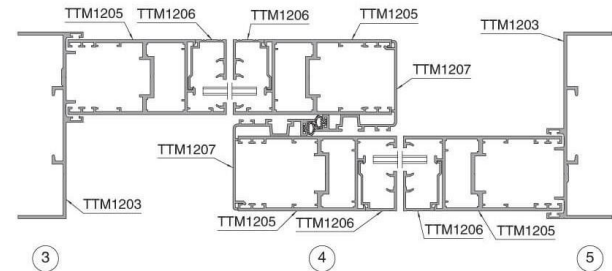


1

TTM 120 Series assembly drawing

2

Other Models: TM72, TC72, TX80  
M88K, TMH90, Customised



# Aluminium profiles for Thermal break Casement windows

GRC 55 series

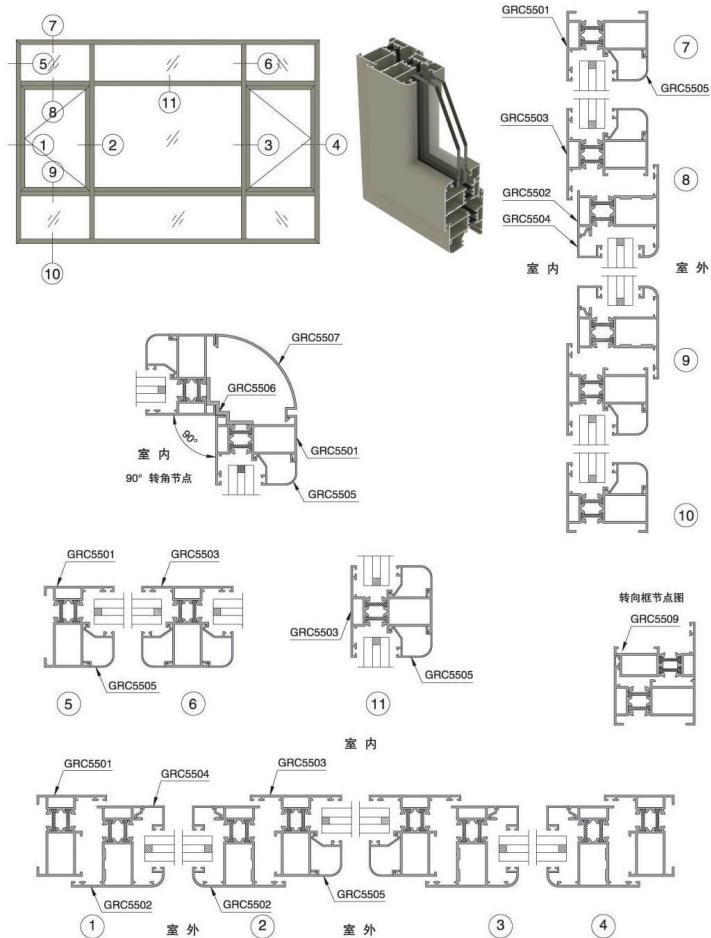
Thermal break Casement windows assembly drawing

1

GRC 55 Series assembly drawing

2

Other Models: GR50B, GRN55, GNK55, GN55, Customised



**THANKS**

---